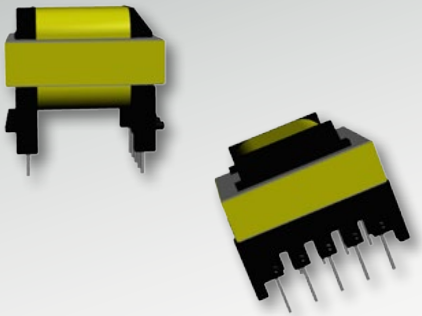


# EE20/10/6 (EF20)

## 10-Pin, THT, Horizontal



### Characteristics

- Through-hole
- Core direction: horizontal
- Functional insulation

### Applications

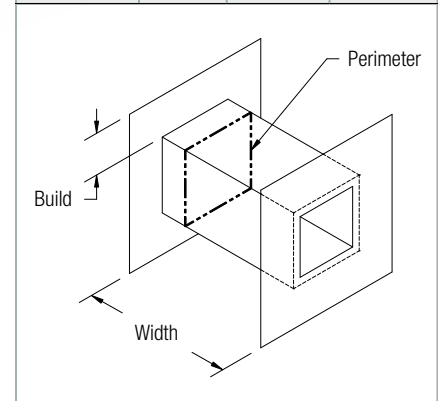
- Lighting
- Metering
- DC/DC converter
- Industrial controls
- White goods
- Telecom

### Core Data

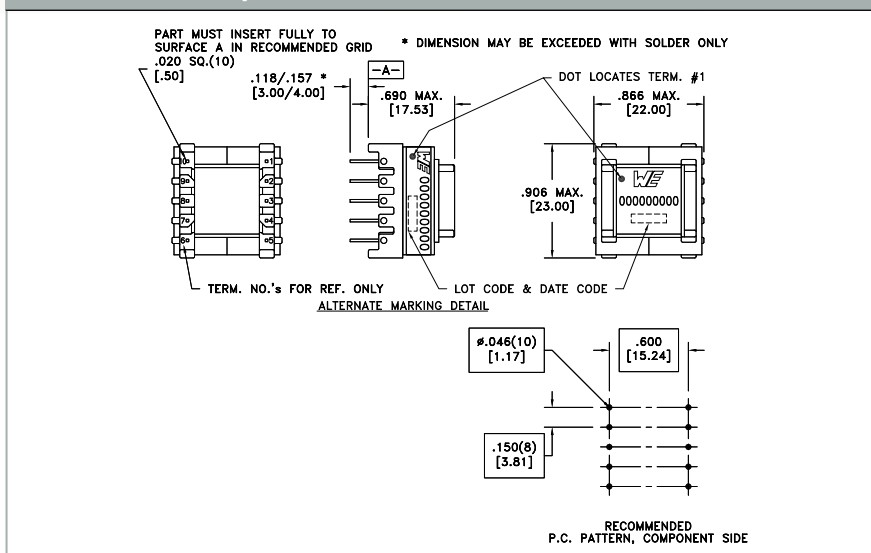
Core Part Number	Area ( $A_c$ ) (mm <sup>2</sup> )	Path Length ( $L_p$ ) (mm)	Volume ( $V_c$ ) (mm <sup>3</sup> )
150-1945	32.00	46.00	1472.00

### Bobbin Winding Area

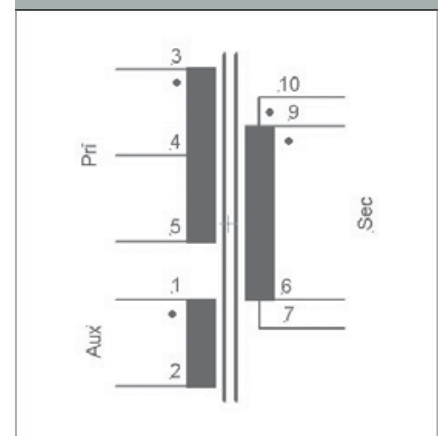
Bobbin Part Number	Width (mm)	Build (mm)	Perimeter (mm)
070-4989	12.50	3.15	30.40



### Dimensions & Footprint



### Recommended Pinout



### Power Level

