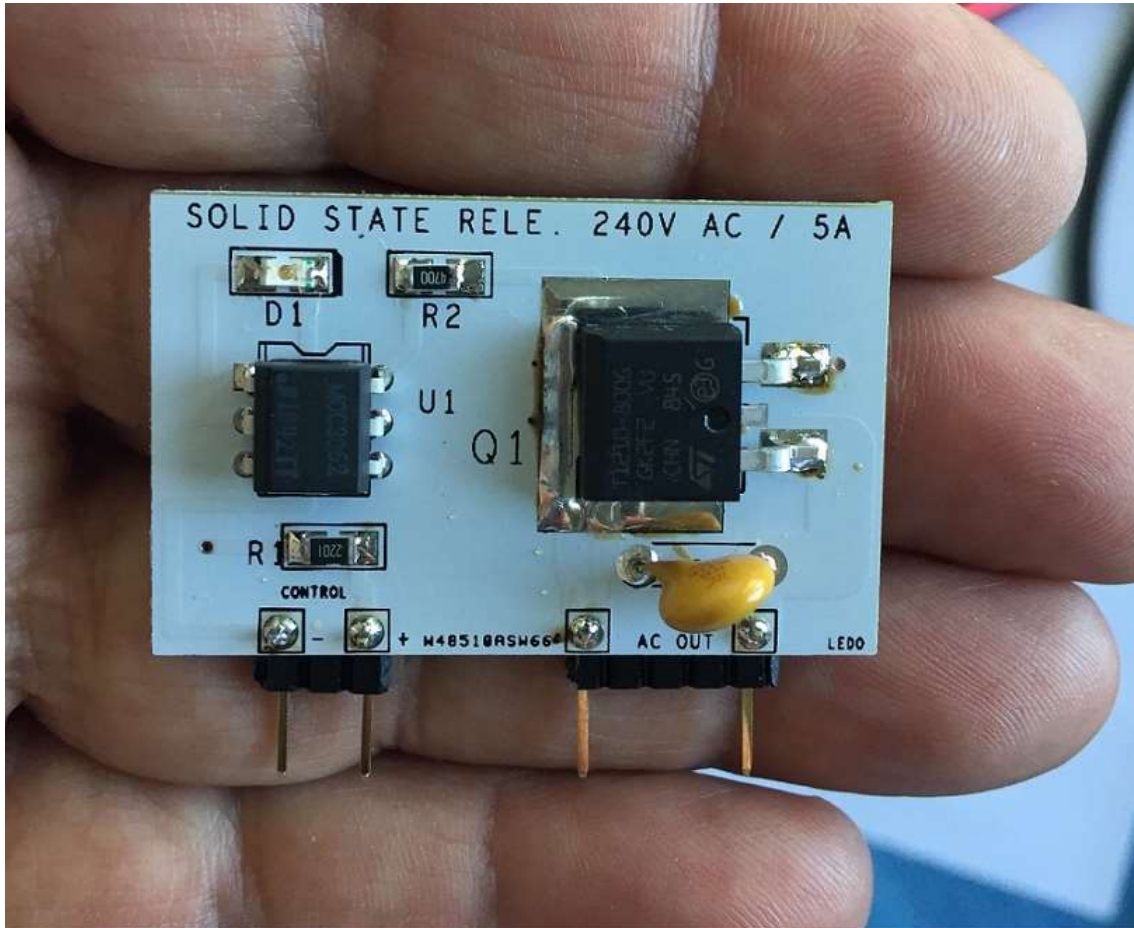
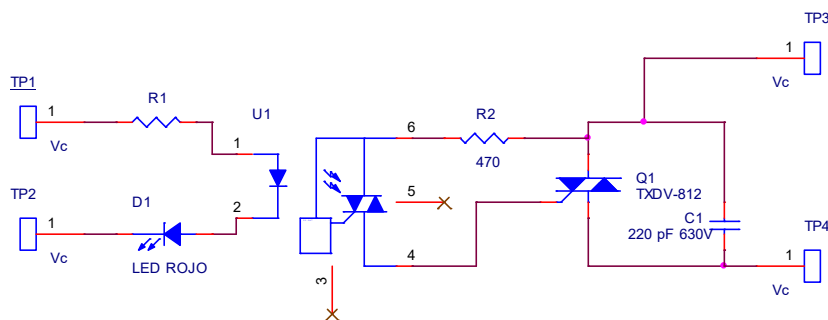


240V AC 5A SOLID STATE RELE

Le-SR240V-5A



- Allows to activate an AC load (Motor, Fan, Lamp, Heater, etc.) from any system based on PLC or microcontroller
- Isolated control signal by opto coupler
- Works with loads of 110V / 220V / 240V AC.
- Current of up to 3 A in continuous mode, without heatsink and 5A with heatsink. Up to 8A in intermittent regime
- Switching on the zero pass of the network
- LED indicating the status of the load
- 43 mm x 30 mm.



The value of R1 must match the control voltage.

DC CONTROL VOLTAGE	R1 VALUE, Ohmios
3.3V LOGIC	100 (LED must be bypassed)
5V	220
8...15V	1200
24...33V	3000

Designed to replace the 2A / 3A / 5A models of Omron, Finder, Carlo Gavazzi, Opto 22, etc.

