

CONVERSION MODULE AC-DC 15 KVA



- **Three-phase rectifier with integrated capacitive filter and automatics**
- **Input voltage 110V AC... 400V AC**
- **Maximum output current 30 A**
- **Soft start with external resistor**

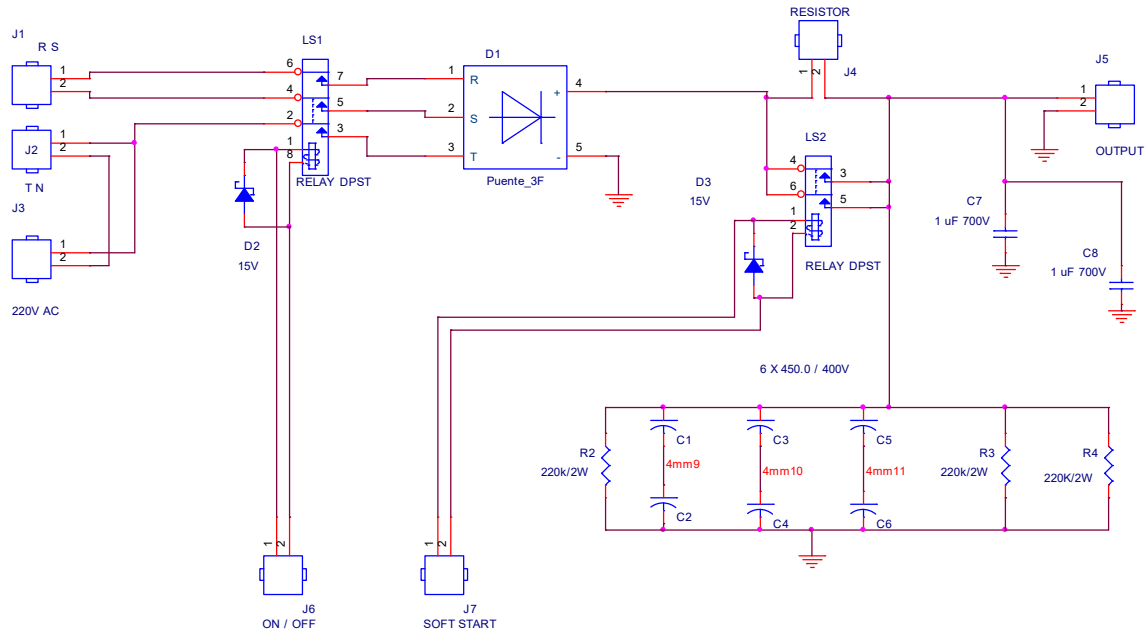
The module consists of a three-phase rectifier bridge with filter, and the switching elements necessary for its integration in any real application.

The input contactor allows the total disconnection of the network circuit, while the power relay used in the output, guarantees a soft start, by charging the capacitor bank through an external resistor R, which must be connected to J4. The resistance and the power of R depend on the power of the load and the parameters of the thermal magnet present in the installation.

The rectifier bridge used has a rated current of 35 A, but the maximum output current of the module is 30 A, limited by the width of the printed circuit tracks.

The module can be used in a single-phase network, but in this case the maximum working power does not exceed 6 kW at 230V AC.

The capacitor bank accumulates considerable energy, which takes about five minutes to dissipate, so care must be taken when handling the module during installation, service and repair.



The coils of the switching elements have a voltage of 12V DC, and must be operated from the control module.