

# AC MOTOR DRIVER



- Allows to activate an alternating current load (Motor, Fan, Lamp, Heater, etc.) from any PLC-based system or microcontroller
- Control signal isolated by optocoupler
- 2  $\mu\text{F}$  capacitor integrated in the board, for operation of a single phase AC motor
- Works with 110V / 230V AC loads.
- Current up to 2.5 A in continuous mode. Up to 4A intermittently
- LED indicating The Load State

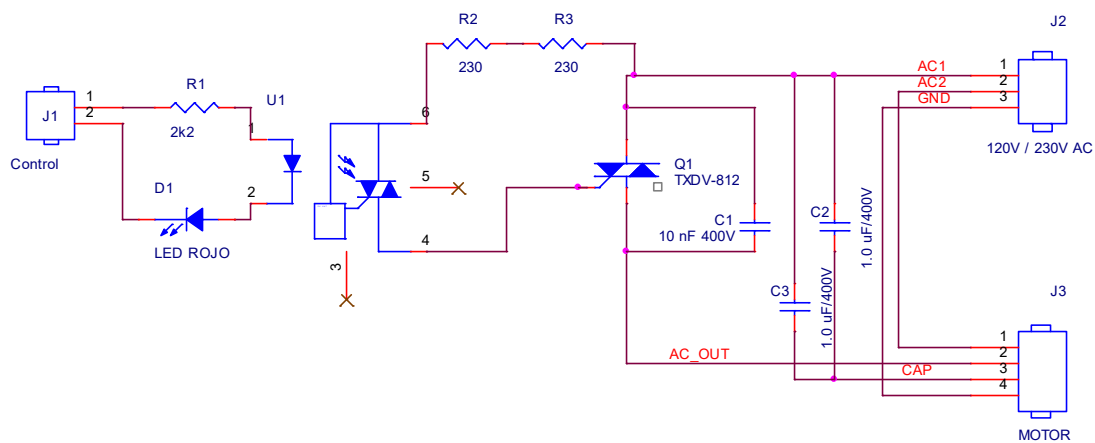


Fig.1. Driver schematics.

R1 value according to the control logic

CONTROL LOGIC VOLTAGE	R1, Ohmios
3.3V	100 (do not use LED)
5V	220
8...15V	1200
24...33V	3000

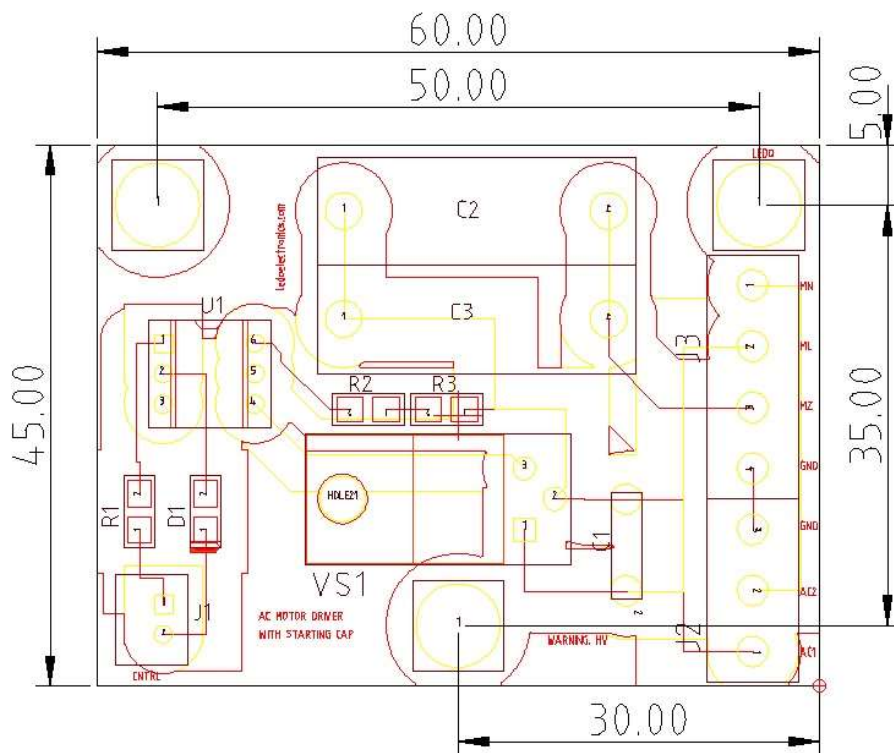


Fig.2. Dimensiones de la placa.