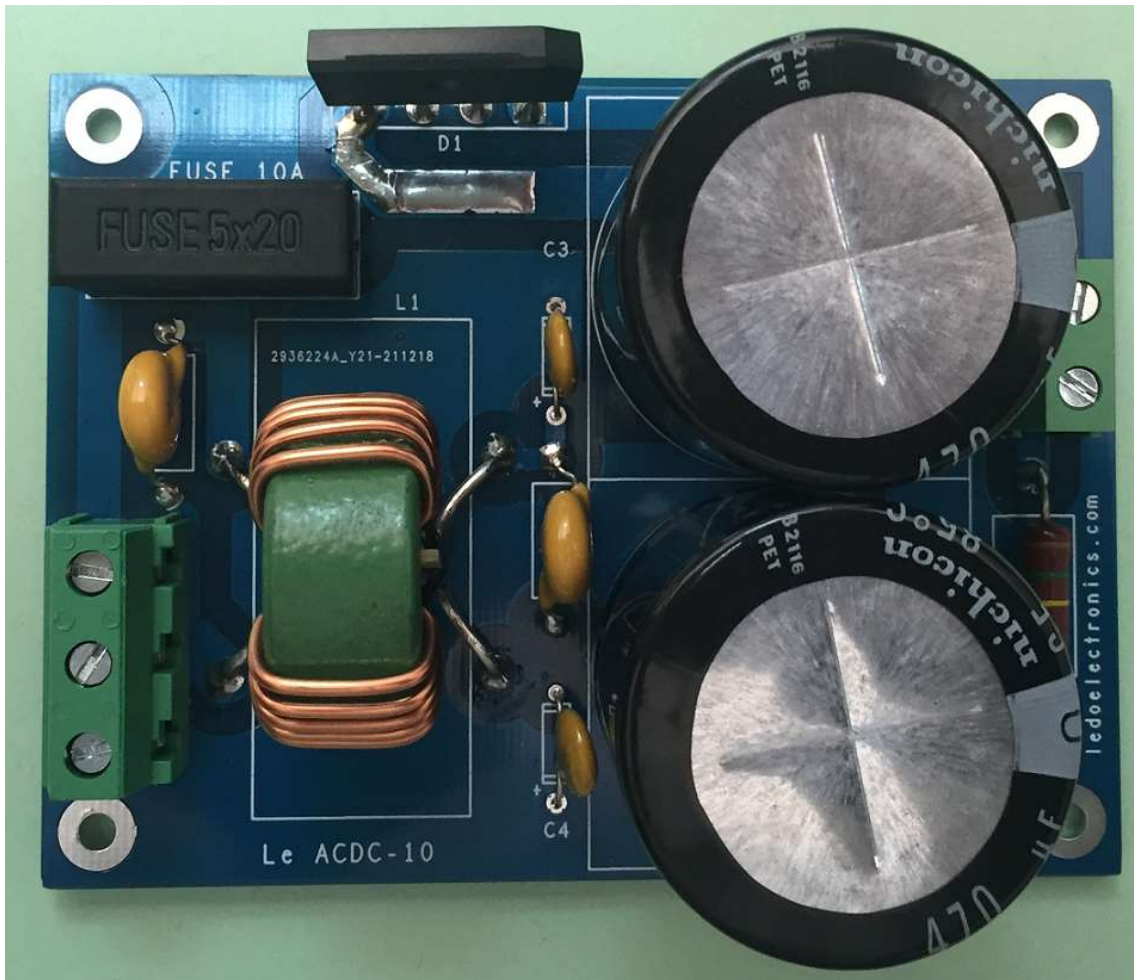


AC-DC CONVERSION MODULE

Le-ACDC-10



- **Single phase Rectifier with capacitive filter**
- **Input AC Voltage up to 270V AC**
- **Up to 10 A output current**
- **Fuse and AC Line Filter on board**

The module consists of a single-phase rectifier bridge with a capacitive filter assembled by two 470 uF capacitors. The circuit also has a line filter based on a common mode choke, as well as a protection fuse.

The capacitor bank accumulates considerable energy, which takes about five minutes to dissipate, so care must be taken when handling the module during installation, service, and repair.

The input / output connectors allow easy integration into any real application.

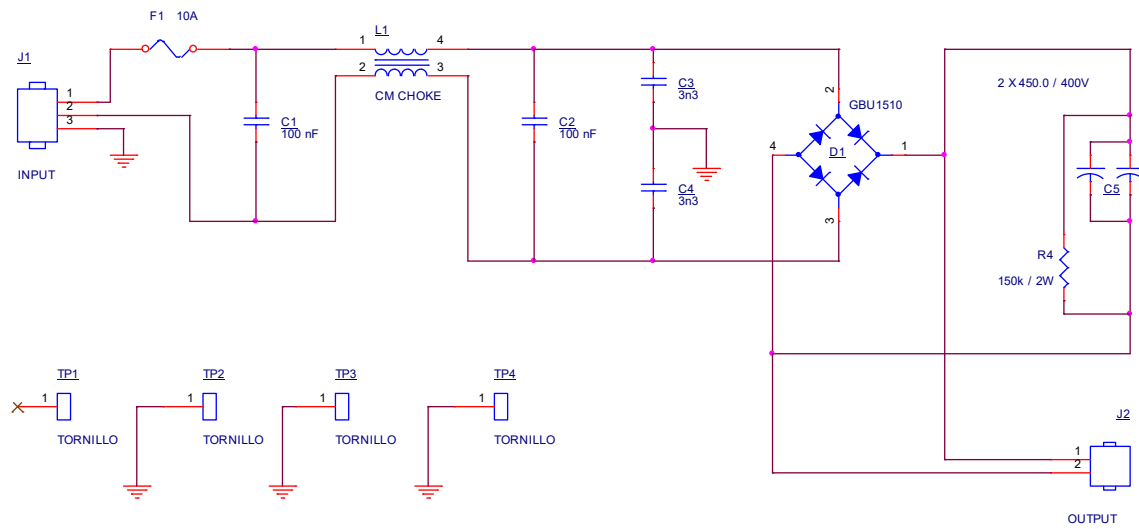


Fig.1. Le-ACDC-10 Schematics.

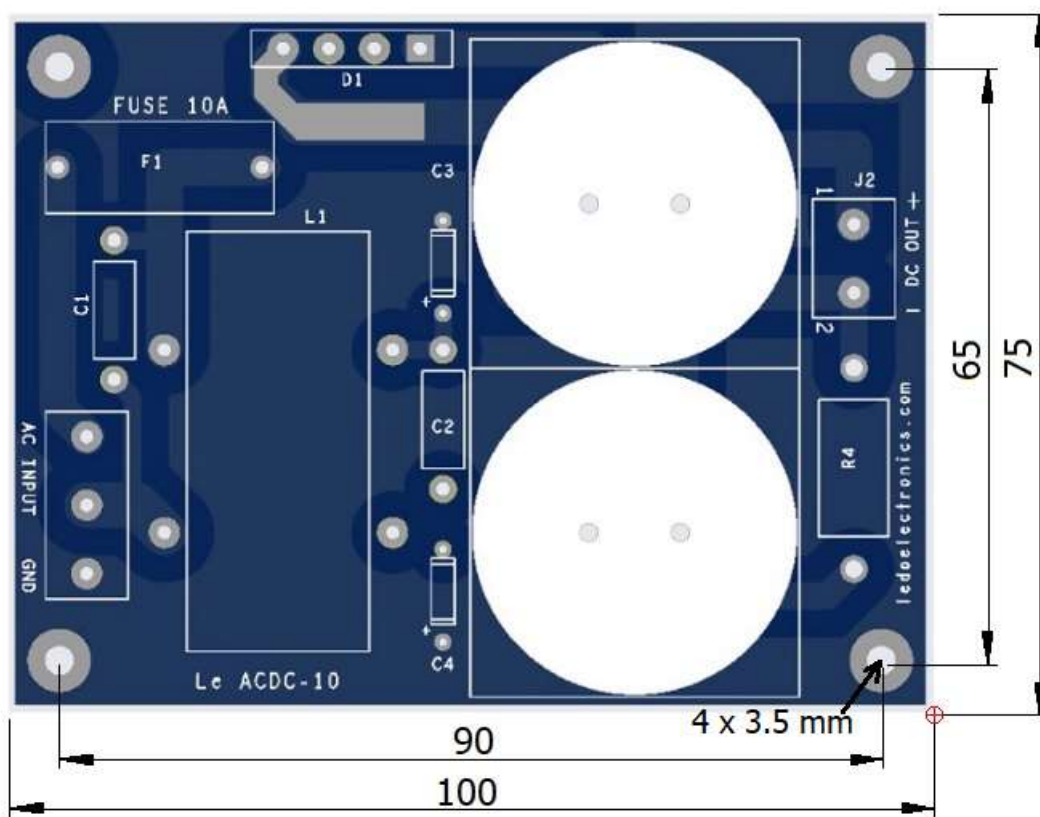


Fig.2. Board outline.