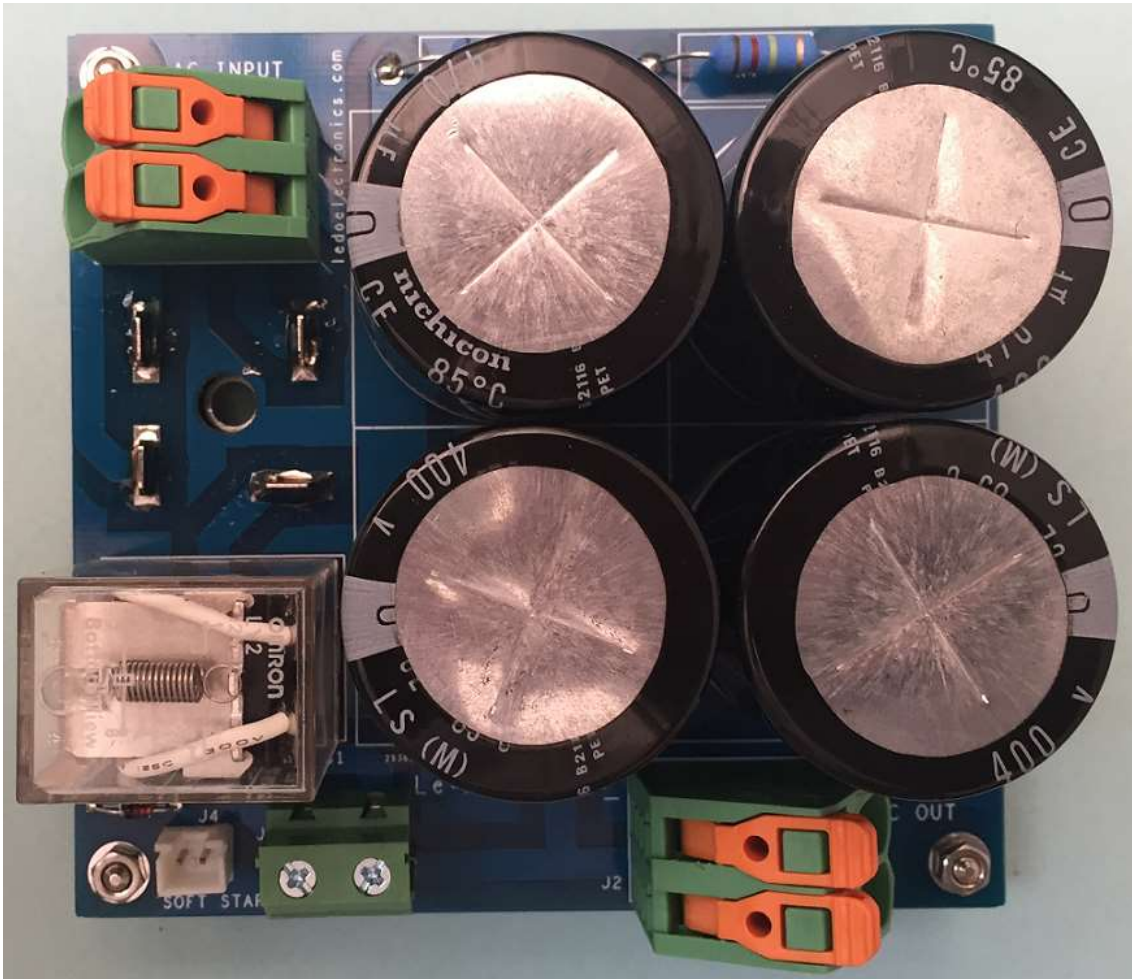


AC-DC CONVERSION MODULE

Le-ACDC-35



- **Single phase Rectifier with capacitive filter**
- **Input AC Voltage up to 270V AC**
- **Up to 35 A output current**
- **Soft Start Circuit**

The module consists of a single-phase rectifier bridge with a capacitive filter implemented by four 470 uF capacitors. The circuit also has a power relay to pre-charge the capacitors through an external resistor during start-up. The start-up management, if used, must be carried out by the control circuit, delaying the excitation of the relay coil (12V DC) for a few seconds, so that the initial charge of the capacitors passes through the external resistor connected to J3. The module can work without this function, for this you only have to make a bridge in J3, but you have to take into

account the consumption current peaks at each start-up, which can trip the protection devices.

The capacitor bank accumulates considerable energy, which takes about five minutes to dissipate, so care must be taken when handling the module during installation, service, and repair.

The input / output connectors allow easy integration into any real application.

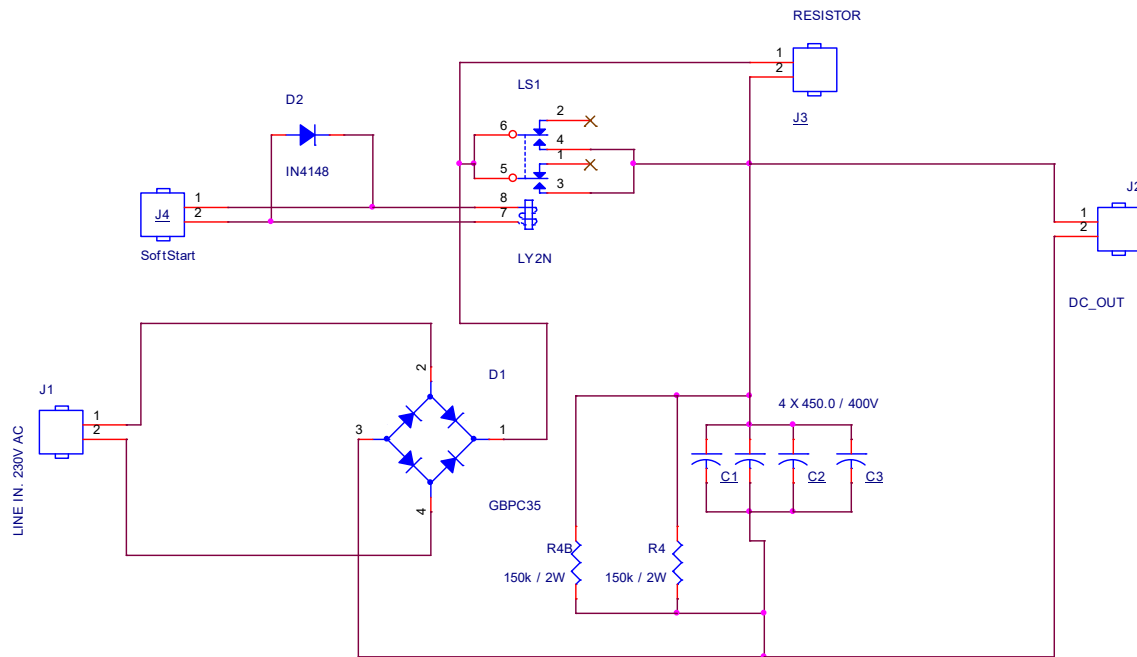


Fig.1. Le-ACDC-35 Schematics.

To be used at full power, it is necessary to screw the rectifier bridge to an aluminum heatsink, or to the chassis of the equipment where it is integrated. This is easy to accomplish, as the board has a hole for it, and the bridge body is isolated from the circuit.

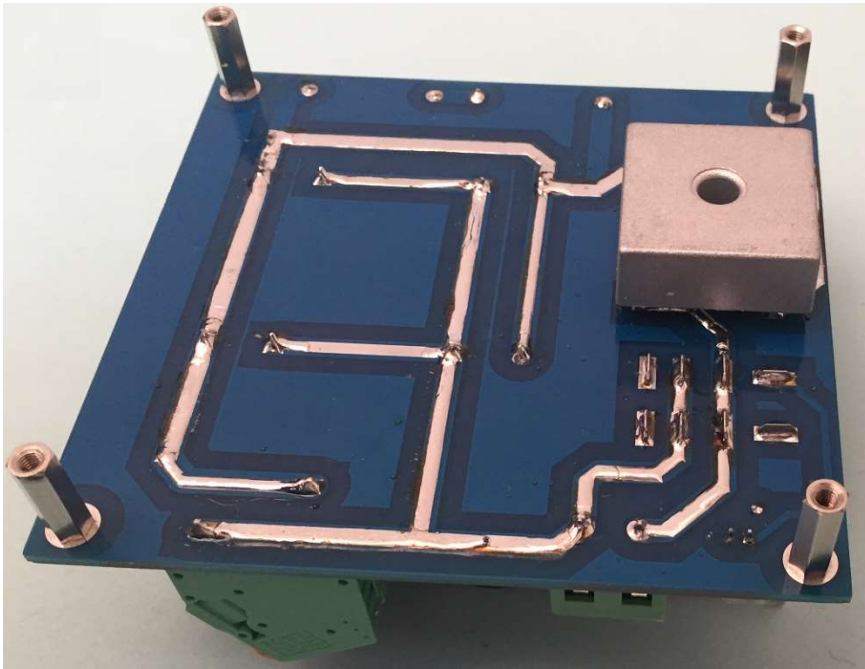


Fig.2. Bottom view.

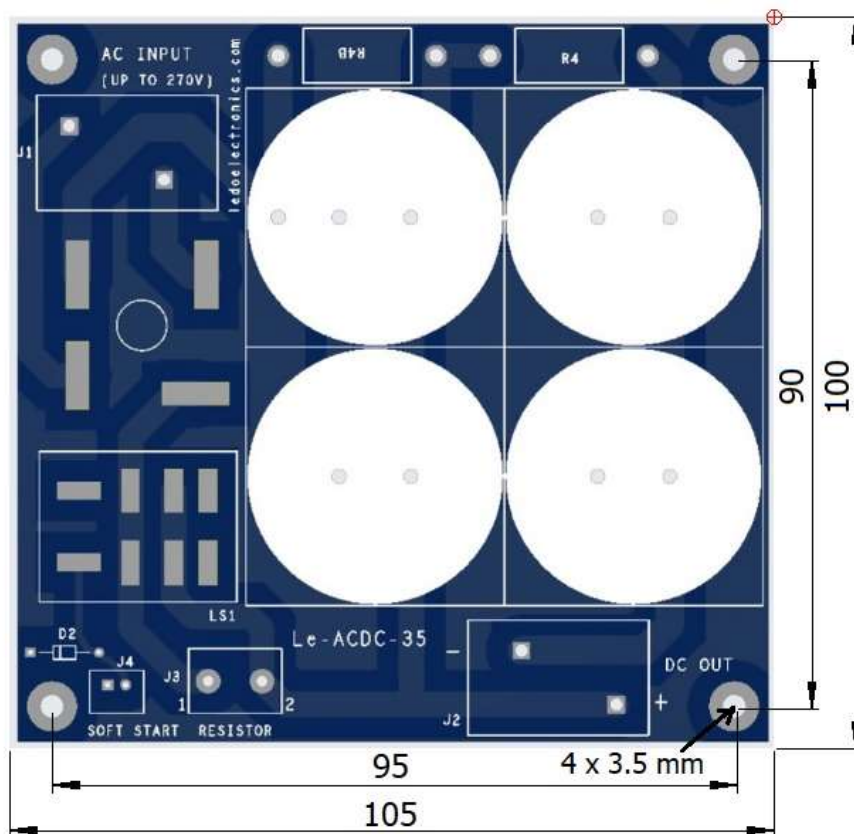


Fig.3. Board Outline.